

**M12 male 0° / M12 male 0° shielded Ethernet**

PUR 2x2xAWG22 shielded gn UL/CSA+dragchain 6,5m

Ethernet CAT5e

Male straight – male straight

M12 – M12, 4-pole

D-coded

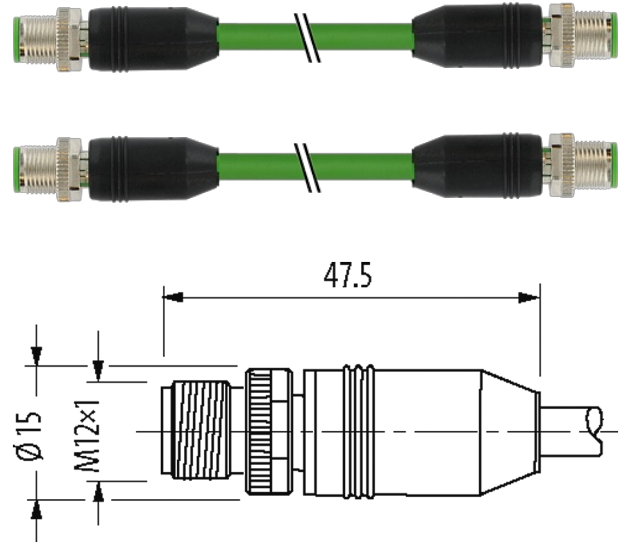
shielded

Further cable lengths on request.

Plastic housings with good resistance against chemicals and oils.

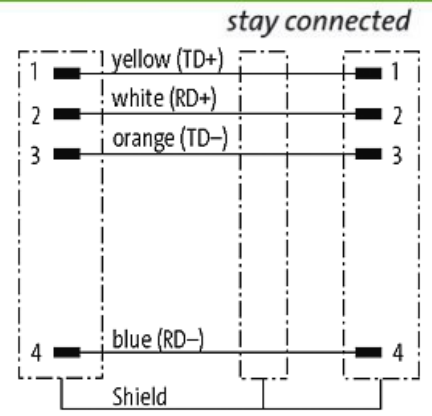
The resistance to aggressive media should be individually tested for your application. Further details on request.

Transmission properties with channel transmission up to 100 m

**Illustration**

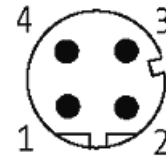
Product may differ from Image

**Sketch**



Male

Male



Product may differ from Image